

**Sunday, March 18, 2018**  
**2018 Great Oak High School Regional**  
**@ Great Oak High School in Temecula, California**  
**Southern California Percussion Alliance (SCPA)**

**ITINERARY**

<b>TIME</b>	<b>EVENT</b>
8:30 AM	Report Time & Load Trucks
9:30 AM	All Drivers Meet at THHS and Check-In
9:45 AM	Depart from Trabuco Hills High School
11:15 AM	Arrive at Great Oak High School
11:48 AM	Unload Truck / Snack / Change
12:15 PM	Stretch / Tuning / Sectionals
12:45 PM	Battery Ensemble / Pit Ensemble
1:15 PM	Full Ensemble Warm-up
1:45 PM	Depart from Warm-up
2:00 PM	Staging Area
<b>2:18 PM</b>	<b>Performance</b>
2:30 PM	Fold Floor
2:45 PM	Load Trucks
3:30 PM	Dinner
4:30 PM	Return to Gymnasium
4:44 PM	Awards
5:15 PM	Depart from Great Oak High School
6:30 PM	Approximate Arrival at Trabuco Hills High School
7:30 PM	Roll-Call & Approximate Dismissal

**STUDENTS WILL NOT BE DISMISSED UNTIL THE TRUCK IS FULLY UNLOADED.  
FEEL FREE TO HELP EXPEDITE THE PROCESS WHILE YOU WAIT FOR THEM.**

***\*\*\* Please keep in mind, no schedule is sacred and always subject to change!!!***



## DIRECTIONS FROM TRABUCO HILLS HIGH SCHOOL



**Great Oak High School**  
**32555 Deer Hollow Way**  
**Temecula California 92592**

Distance: 70.8 miles, Approximate Travel Time: 1 hour 12 mins

### ***Via The Toll Roads***

- Take SR-241 Toll Road North towards Riverside
- The Tomato Springs Toll Plaza is \$3.25 and the Windy Ridge Toll Plaza is \$3.25
- Take SR-91 Freeway East towards Riverside
- Take I-15 Freeway South
- Exit Indio / SR-79 and turn left
- Turn right on Pechanga Parkway
- Turn left on Deer Hollow Way
- Great Oak High School is on your right-hand side

### ***Without The Toll Roads***

- Take I-5 Freeway North towards Santa Ana
- Take SR-55 Freeway North
- Take SR-91 Freeway East towards Riverside
- Take I-15 Freeway South
- Exit Indio / SR-79 and turn left
- Turn right on Pechanga Parkway
- Turn left on Deer Hollow Way
- Great Oak High School is on your right-hand side

**Sunday, March 18, 2018**  
**2017 Great Oak High School Regional**  
**@ Great Oak High School in Temecula, California**  
**Southern California Percussion Alliance (SCPA)**

**Performance Schedule (as of 03/15/18)**

<b>CLASS</b>	<b>UNIT</b>	<b>PERFORM</b>
PSJ	Palm Desert Charter Middle School	10:00 AM
PSJ	Dorothy McElhinney Middle School	10:09 AM
PSJ	Alvarado Intermediate School	10:18 AM
<b><i>BREAK</i></b>		<b><i>10:27 AM</i></b>
PSA	El Camino High School	10:37 AM
PSA	Bonita Vista High School	10:46 AM
PSA	Ramona High School	10:55 AM
PSA	Shadow Hills High School	11:04 AM
PSA	Valhalla High School	11:13 AM
PSA	Bonita High School	11:22 AM
PSA	Del Norte High School	11:31 AM
<b><i>BREAK</i></b>		<b><i>11:40 AM</i></b>
PSA	Mission Hills High School	11:50 PM
PSA	El Toro High School	11:59 PM
PSA	Glendora High School	12:08 AM
PSA	Westlake High School	12:17 AM
PSA	Gahr High School	12:26 AM
PSA	Westminster High School	12:35 AM
PSA	Upland High School	12:44 AM
<b>A CLASS AWARDS</b>		<b>1:08 PM</b>
PSO	Los Alamitos High School	2:08 PM
<b>PSO</b>	<b>Trabuco Hills High School</b>	<b>2:18 PM</b>
PSO	Buena High School	2:28 PM
PSO	William S. Hart High School	2:38 PM
<b><i>BREAK</i></b>		<b><i>2:48 PM</i></b>
PSCA	Etiwanda High School	2:58 PM
PSCA	Walnut High School	3:07 PM
PSCA	Santa Fe High School	3:16 PM
PSCA	Esperanza High School	3:25 PM
PSCA	Saddleback High School	3:34 PM
PSCA	Palos Verdes High School	3:43 PM
PSCA	Yorba Linda High School	3:52 PM
PSCA	Serrano High School	4:01 PM
PSCA	Del Norte High School	4:10 PM
PSCO	Walnut High School	4:19 PM
<b>OPEN &amp; WORLD CLASS AWARDS</b>		<b>4:44 PM</b>

Effect - Music  
 Effect - Visual  
 Music  
 Visual  
 Timing & Penalties

Dan Bryan  
 Bobby Jones  
 Omar Carmenates  
 Mark Metz  
 Bryan Scheidecker



# GREAT OAK HIGH SCHOOL

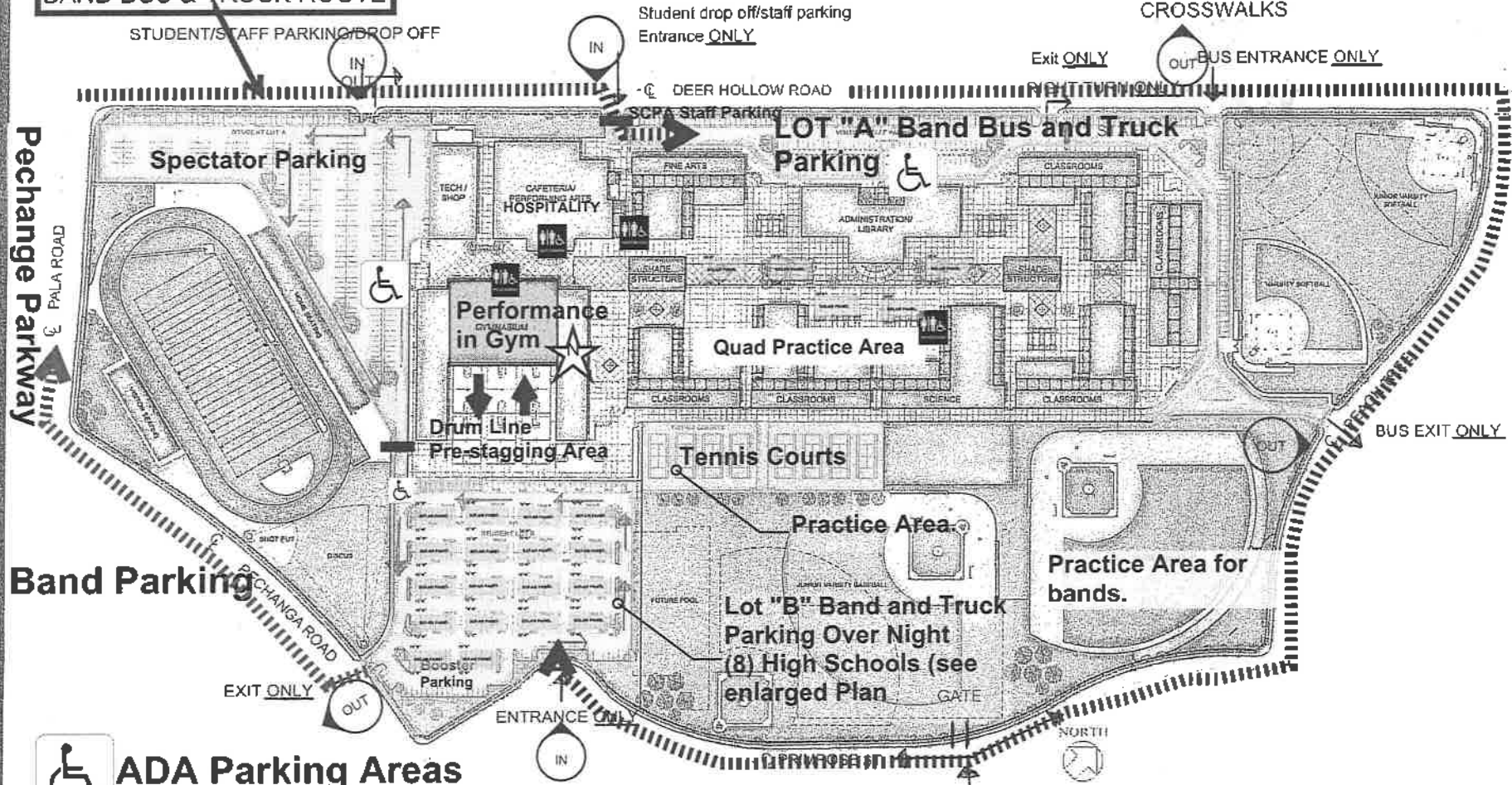
TEMECULA VALLEY UNIFIED SCHOOL DISTRICT

**SITE PLAN**

## STUDENT/STAFF PARKING/DROP OFF/TRAFFIC FLOW MAP

IF YOU ARE PARKING ACROSS THE ST  
AT THE PARK, BE SURE TO USE THE  
CROSSWALKS

### BAND BUS & TRUCK ROUTE



**Band Parking**

**LOT "A" Band Bus and Truck Parking**

**Lot "B" Band and Truck Parking Over Night (8) High Schools (see enlarged Plan)**

**ADA Parking Areas**

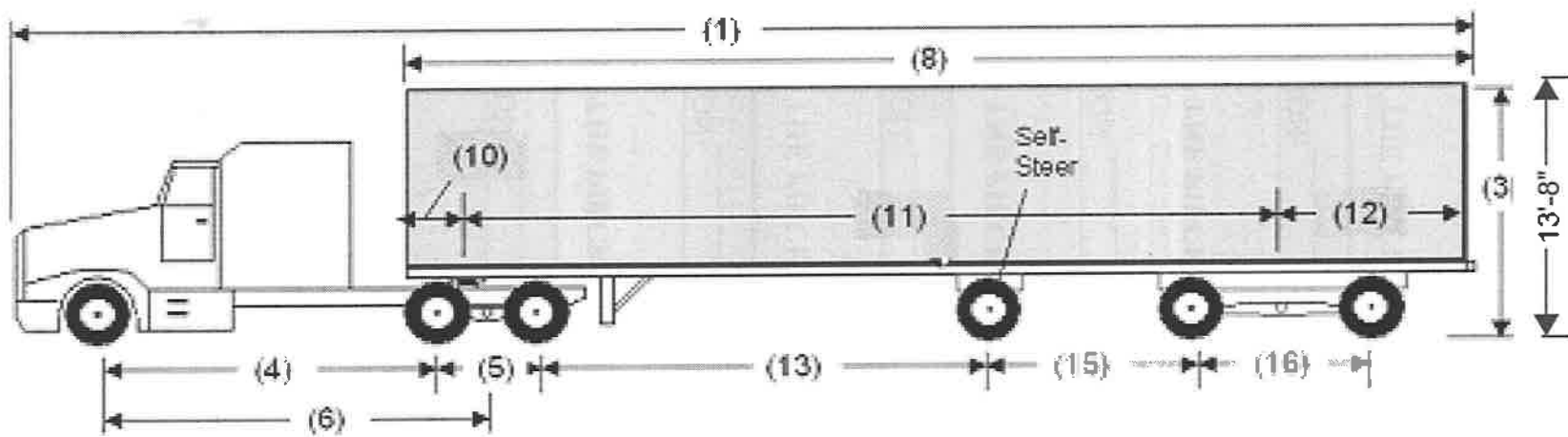
**Restrooms**

# GUEST MAP & INFORMATION

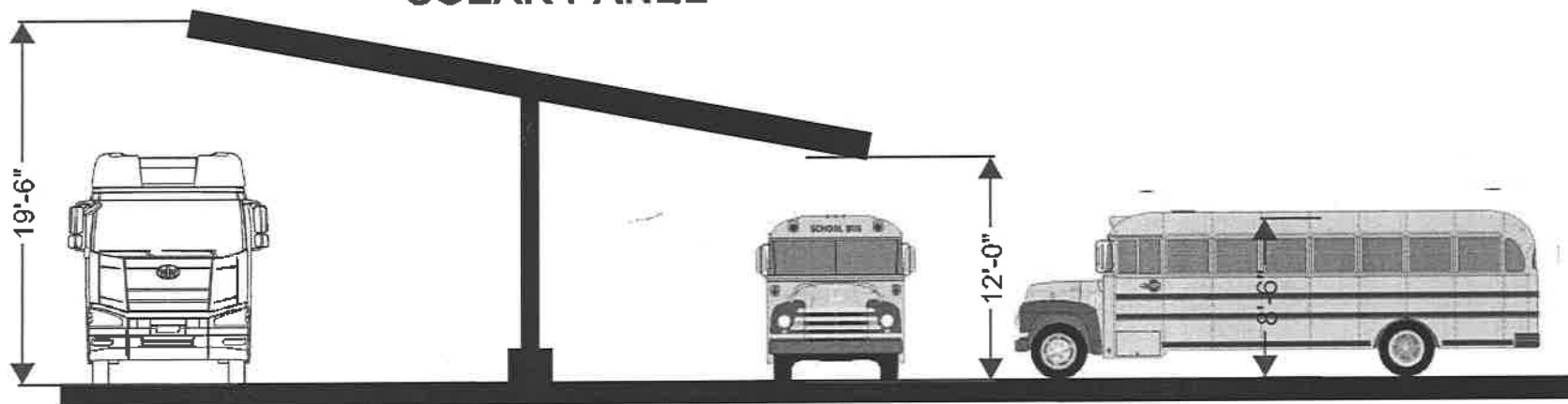
PLEASE FOLLOW TRAFFIC DIRECTIONS AND WATCH YOUR SPEED

FRICK, FRICK & JETTÉ  
ARCHITECTS, INCORPORATED  
15337 BONANZA ROAD  
VICTORVILLE, CA 92382  
WWW.FFJ-ARCH.COM





### SOLAR PANEL



# ***Southern California Percussion Alliance***

Great Oak HS

