

**Saturday, March 14, 2020**  
**2020 Great Oak High School Regional**  
**@ Great Oak High School in Temecula, California**  
**Southern California Percussion Alliance (SCPA)**

**ITINERARY**

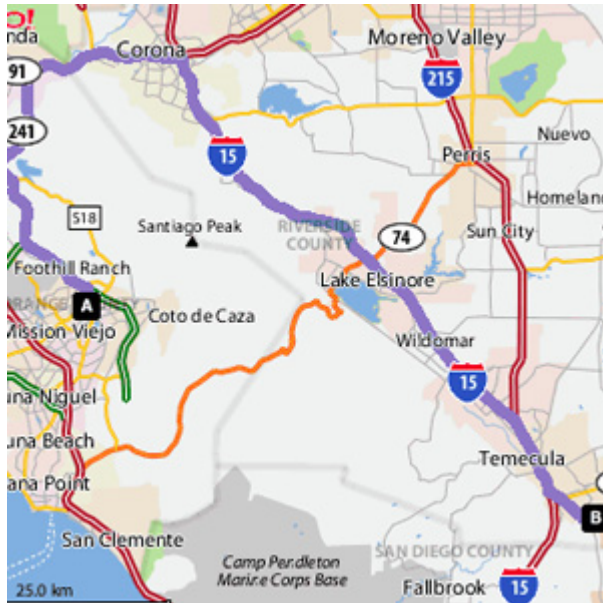
<b>TIME</b>	<b>EVENT</b>
10:15 AM	Call Time
10:30 AM	Rehearsal
1:30 PM	Load Trucks ( <i>bring a sack lunch</i> ) & Change into uniform
3:00 PM	All Drivers Meet at THHS and Check-In
3:15 PM	Depart from Trabuco Hills High School
4:53 PM	Arrive at Great Oak High School
5:00 PM	Snack / Stretch
5:23 PM	Unload Trucks
5:50 PM	Tuning / Sectionals
6:20 PM	Full Ensemble Warm-up
6:50 PM	Depart from Warm-up
7:05 PM	Staging Area
<b>7:23 PM</b>	<b>Performance</b>
7:30 PM	Fold Floor
7:40 PM	Load Trucks & Change
8:20 PM	Dinner
8:50 PM	Return to Gymnasium
9:00 PM	Awards
9:30 PM	Depart from Great Oak High School
10:45 PM	Approximate Arrival at Trabuco Hills High School
11:30 PM	Roll-Call & Approximate Dismissal

**STUDENTS WILL NOT BE DISMISSED UNTIL THE TRUCK IS FULLY UNLOADED.  
FEEL FREE TO HELP EXPEDITE THE PROCESS WHILE YOU WAIT FOR THEM.**

**\*\*\* Please keep in mind, no schedule is sacred and always subject to change!!!**



## **DIRECTIONS FROM TRABUCO HILLS HIGH SCHOOL**



**Great Oak High School**  
**32555 Deer Hollow Way**  
**Temecula, California 92592**

Distance: 70.8 miles, Approximate Travel Time: 1 hour 12 mins

### ***Via The Toll Roads***

- Take SR-241 Toll Road North towards Riverside
- The Tomato Springs Toll Plaza is \$4.04 and the Windy Ridge Toll Plaza is \$4.23
- Take SR-91 Freeway East towards Riverside
- Take I-15 Freeway South
- Exit Indio / SR-79 and turn left
- Turn right on Pechanga Parkway
- Turn left on Deer Hollow Way
- Great Oak High School is on your right-hand side

### ***Without The Toll Roads***

- Take I-5 Freeway North towards Santa Ana
- Take SR-55 Freeway North
- Take SR-91 Freeway East towards Riverside
- Take I-15 Freeway South
- Exit Indio / SR-79 and turn left
- Turn right on Pechanga Parkway
- Turn left on Deer Hollow Way
- Great Oak High School is on your right-hand side

**Saturday, March 14, 2020**  
**2020 Great Oak High School Regional**  
**@ Great Oak High School in Temecula, California**  
**Southern California Percussion Alliance (SCPA)**

**Performance Schedule (as of 03/04/20)**

<b>CLASS</b>	<b>UNIT</b>	<b>PERFORM</b>
PSJ	Warm Springs Middle School	12:44 PM
PSJ	Rancho Starbuck Intermediate School	12:53 PM
PSJ	Townsend Junior High School	1:02 PM
PSJ	Palm Desert Charter Middle School	1:11 PM
PSJ	Alvarado Intermediate School	1:20 PM
PSJ	Dorothy McElhinney Middle School	1:29 PM
	<b>BREAK</b>	<b>1:38 PM</b>
<b>PSA - BLOCK 1</b>		
PSA	Riverside Poly High School	1:48 PM
PSA	Canyon High School (CC)	1:57 PM
PSA	St. Genevieve High School	2:06 PM
PSA	South Pasadena High School	2:15 PM
PSA	Warren High School	2:24 PM
PSA	John F. Kennedy High School	2:33 PM
PSA	Baldwin Park High School	2:42 PM
PSA	Temecula Valley High School	2:51 PM
PSA	Edison High School	3:00 PM
PSA	Great Oak High School	3:09 PM
	<b>BREAK</b>	<b>3:18 PM</b>
<b>PSA - BLOCK 2</b>		
PSA	South Hills High School	3:28 PM
PSA	Valhalla High School	3:37 PM
PSA	San Clemente High School	3:46 PM
PSA	Katella High School	3:55 PM
PSA	Aliso Niguel High School	4:04 PM
PSA	Bonita High School	4:13 PM
PSA	Ontario High School	4:22 PM
PSA	El Toro High School	4:31 PM
PSA	Westlake High School	4:40 PM
PSA	Palisades Charter High School	4:49 PM
	<b>A CLASS AWARDS</b>	<b>5:13 PM</b>
PSO	San Marino High School	6:13 PM
PSO	Fountain Valley High School	6:23 PM
PSO	Patriot High School	6:33 PM
PSO	Rancho Cucamonga High School	6:43 PM
PSO	La Quinta High School (OC)	6:53 PM
PSO	Carlsbad High School	7:03 PM
PSO	William S. Hart High School	7:13 PM
<b>PSO</b>	<b>Trabuco Hills High School</b>	<b>7:23 PM</b>
PSO	Great Oak High School	7:33 PM
PSO	Mission Viejo High School	7:43 PM
	<b>BREAK</b>	<b>7:53 PM</b>
PIO	Instinct	8:03 PM
PSCO	St. Genevieve Parish Schools	8:13 PM
PSW	Chino Hills High School	8:23 PM
PSW	Diamond Bar High School	8:34 PM
	<b>OPEN &amp; WORLD CLASS AWARDS</b>	<b>9:00 PM</b>

Effect - Music  
Effect - Visual  
Music  
Visual  
Timing & Penalties

Dan Bryan  
Frank Miller  
Brian Mason  
Dave Marvin  
Nate Cisneros





# Event Information

## Great Oak High School

---

### Event Location

[Great Oak High School](#)  
32555 Deer Hollow Way  
Temecula, CA 92592

### Tickets

\$10, general admission

- Seats are available on a first-come, first-served basis.
- Spectator doors will open 30 minutes prior to the start of the show.
- Children five and under are free.

### Performance Schedule

Schedules are typically published a week and a half before the event. As performance times can change, please visit [scpa.live](#) for the most recent version of the performance schedule.

### Spectator Parking

Spectator parking is available in designated parking lots on campus.

### Video and Photos

Tripods and/or monopods are prohibited in the stands. No video recording is permitted. Still photography, without a flash, is welcome.

### Spectator Notes

- As this is a performing arts event, we ask that you remain in your seats during every performance and keep the aisles clear until the breaks between each performance. Concert etiquette is appreciated.
- Please silence cell phones while inside the performance venue.
- Due to United States copyright law, all forms of video and sound recording of any performance are strictly prohibited. This policy is at the ensembles' request and we ask that you please honor their wishes.

# GREAT OAK HIGH SCHOOL

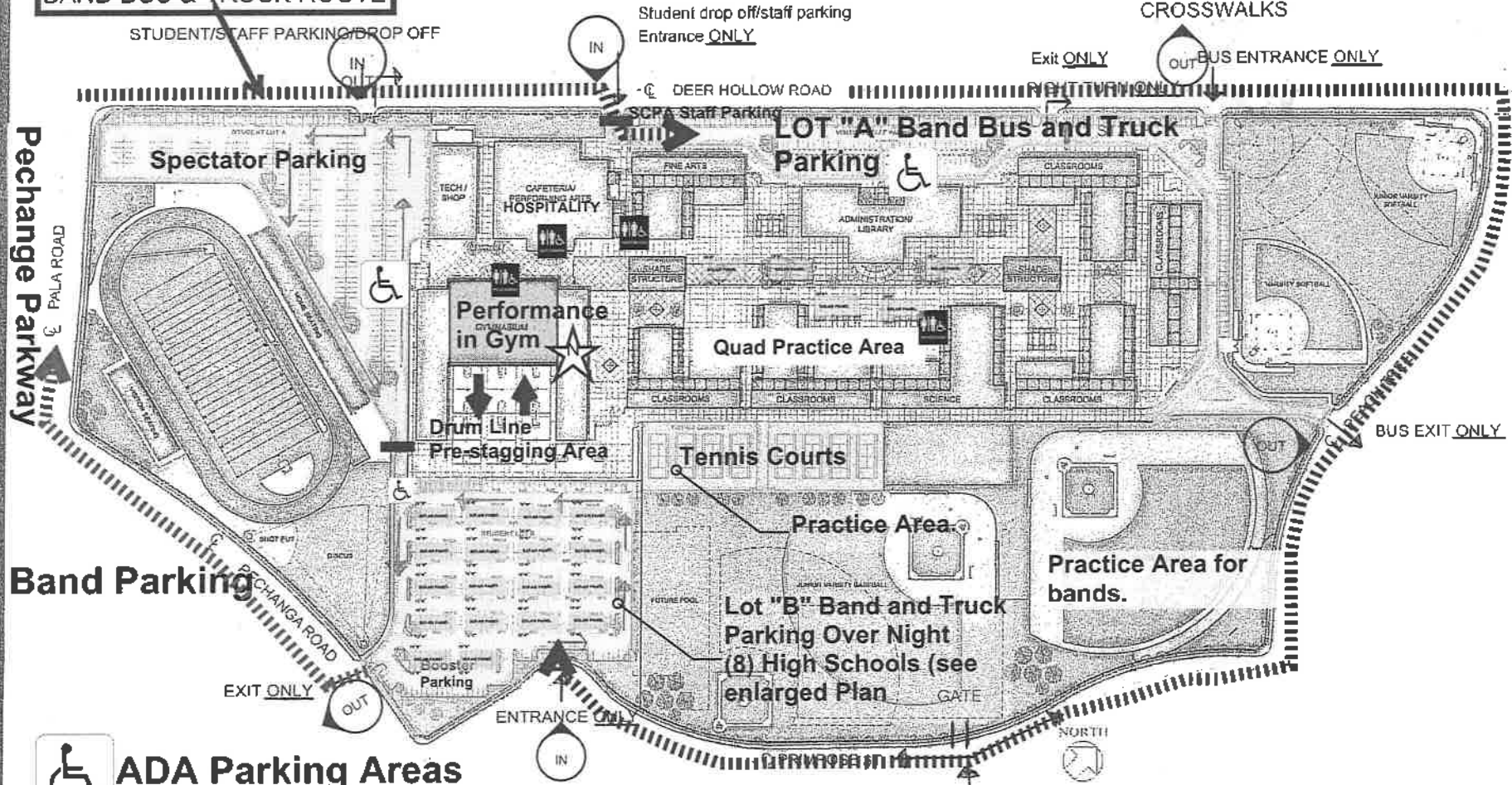
TEMECULA VALLEY UNIFIED SCHOOL DISTRICT

SITE PLAN

## STUDENT/STAFF PARKING/DROP OFF/TRAFFIC FLOW MAP

IF YOU ARE PARKING ACROSS THE ST  
AT THE PARK, BE SURE TO USE THE  
CROSSWALKS

### BAND BUS & TRUCK ROUTE



STUDENT/STAFF PARKING/DROP OFF

Student drop off/staff parking  
Entrance ONLY

Exit ONLY

BUS ENTRANCE ONLY

RIGHT TURN ONLY

DEER HOLLOW ROAD

SCPA Staff Parking

LOT "A" Band Bus and Truck  
Parking

Spectator Parking

Pechange Parkway  
PALA ROAD

Performance  
in Gym

Quad Practice Area

Drum Line  
Pre-staging Area

Tennis Courts

Practice Area

Practice Area for  
bands.

Band Parking

Lot "B" Band and Truck  
Parking Over Night  
(8) High Schools (see  
enlarged Plan)

EXIT ONLY

ENTRANCE ONLY

NORTH

BUS EXIT ONLY



ADA Parking Areas



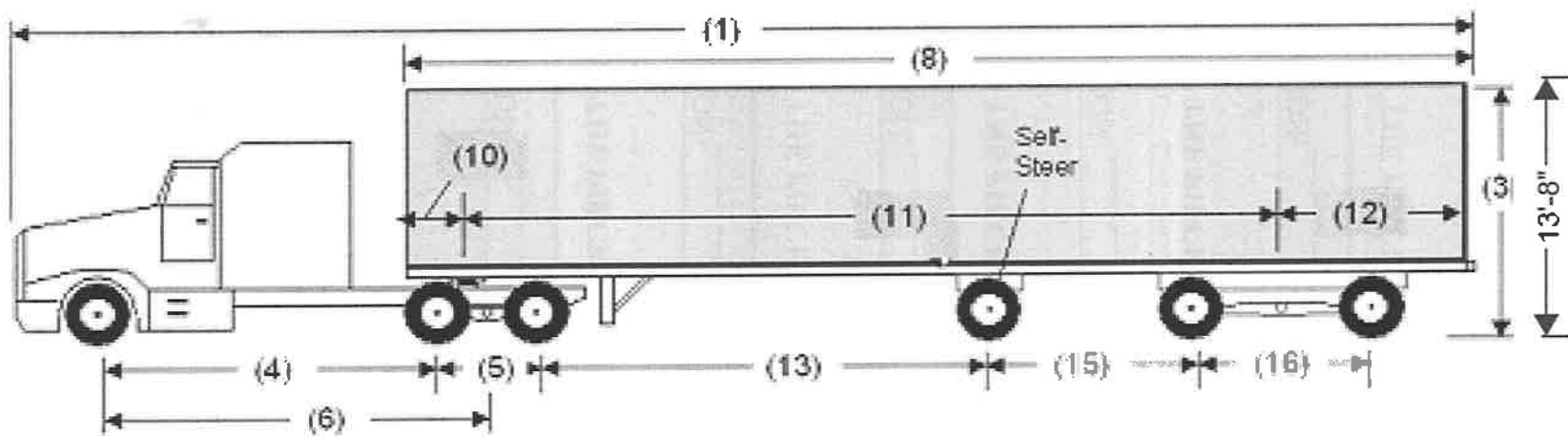
Restrooms

# GUEST MAP & INFORMATION

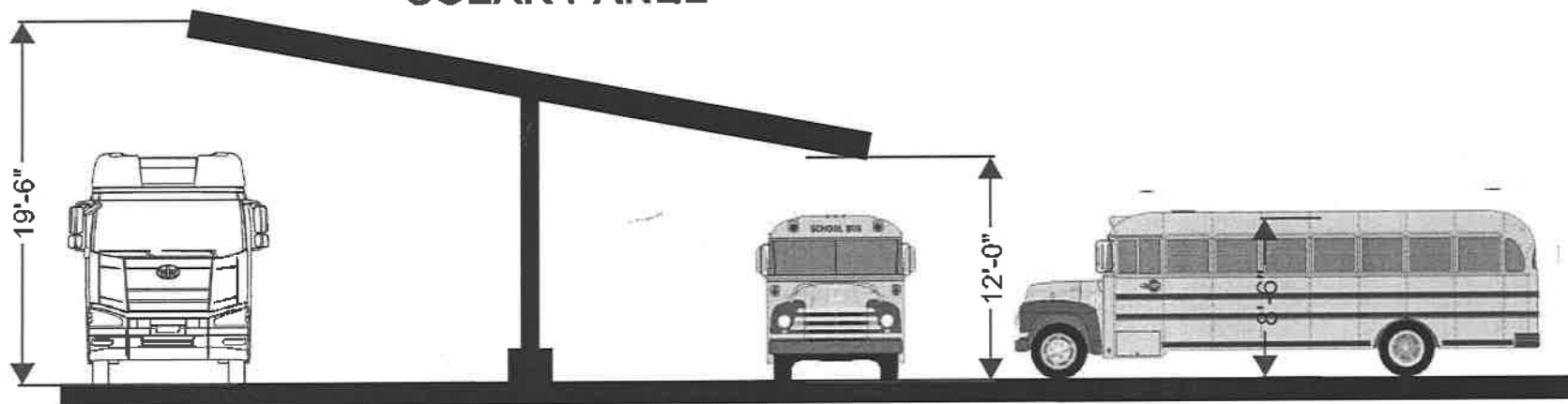
PLEASE FOLLOW TRAFFIC  
DIRECTIONS AND WATCH  
YOUR SPEED

FRICK, FRICK & JETTÉ  
ARCHITECTS, INCORPORATED  
15337 BONANZA ROAD  
VICTORVILLE, CA 92382  
WWW.FFJ-ARCH.COM





### SOLAR PANEL



# Southern California Percussion Alliance

## Great Oak HS

